

# SOKKIA

**SERGIO CULACIATI RIOS**  
 INSTRUMENTAL TOPOGRAFICO  
 REPRESENTANTE SOKKIA  
 SEMINARIO N° 976 NUÑO A  
 FONDO: 2255870 - FONDO FAX: 2255865

# SLB

## LASER ALIGNER

Compact moisture proof laser aligner: Built-in laser and generator for simple horizontal and slope sighting.



**LASER RADIATION**  
 DO NOT STARE INTO BEAM  
 CLASS 2 LASER PRODUCT  
 HELIUM-NEON LASER  
 0.99mW MAXIMUM OUTPUT

**CAUTION**  
 LASER RADIATION  
 DO NOT STARE INTO BEAM  
 HELIUM-NEON LASER  
 0.99mW MAXIMUM OUTPUT  
 CLASS II LASER PRODUCT



# SLB

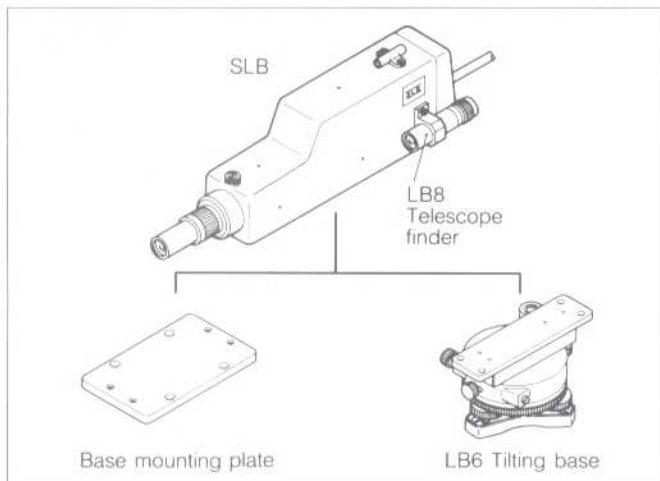
## Focussing laser system for accurate long distance target sighting.

After extensive research Sokkia has developed the SLB laser aligner which ensures quick and accurate setting of the reference line and surface for all underground and general civil engineering and construction jobs.

### FEATURES

- **Installation according to job site requirements:**  
SLB laser aligner is easily installed on tunnel wall, frame, tripod, or any other suitable mounting to fit the requirements of the specific job.
- **Horizontal and slope sighting:**  
The laser beam runs parallel to the base of the instrument, ensuring accurate horizontal and slope sighting when used with the tilting base.
- **Focussing and replacement:**  
A laser beam focussing knob is provided, and the small laser tube is easily replaced and adjusted at the job site by simply removing the cover.
- **Accurate aiming while checking the target:**  
A finder mounted on the side of the unit makes sighting fast and convenient.

### Combination of laser aligner SLB



### SLB Standard set

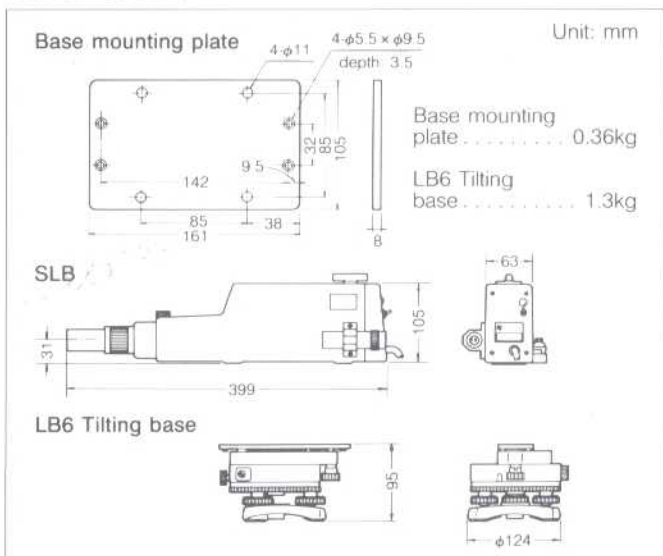
- Main unit fitted with power cord and LB8 Telescope finder.
- LB6 Tilting base
- Base mounting plate
- Grounding rod
- Plub bob
- Vinyl cover
- Tool kit
- Operator's manual
- Carrying case

### SLB Specifications

SLB Main unit (Laser beam emitter) Class II (IEC825), Class 2 (CFR21)	
Light source	He-Ne gas laser, Power: 2mW, Wavelength: 632.8 nm
Output power	Less than 1mW (in front of objective lens)
Beam spot diameter	φ7.5mm at 50m, φ15mm at 100m, Focussing laser system
Magnification of collimator	16 x
Minimum collector distance	1.0m (3.3ft)
Operating temperature	-20 to +50°C (-4 to +122°F)
Operating voltage	12V DC 100V AC, use transformer for different voltage
Power supply	Car battery Wait outlet
Sensitivity of level	Plate level: 90"/2mm
Size	W70 x D410 x H130mm (W2.8 x D16.1 x H5.1 in)
Weight w/LB8	2.5kg (5.5lbs)
LB8 telescope finder	
Magnification	8.2 x
Image	Erect
Field of view	6°30' [11.4m at 100m]
Minimum focus	5.0m (16.4ft)
LB6 Tilting base	
Horizontal circle	Clockwise reading, Diameter: 109mm, Graduation: 1°
Sensitivity of level	Circular level: 10"/2mm
Tilting range	± 1°
Size	W124 x D161 x H95mm (W4.9 x D6.3 x H3.7 in)
Weight	1.3kg (2.9lbs)
Base	Concave base, Base screw: φ5/8 in
Base mounting plate	
Size	W105 x D161 x H8mm (W4.1 x D6.3 x H0.3 in)
Weight	360g (13oz)

• When ordering, please specify the type you require: 100V AC or 12V DC.

### Dimensions



• Design and specifications are subject to change without notice.

### SOKKIA CO., LTD.

1-1, TOMIGAYA 1-CHOME, SHIBUYA-KU, TOKYO, 151 JAPAN  
PHONE 03-3465-5211 FAX 03-3465-5203 TELEX SORSOK J28518  
INTERNATIONAL DEPT. PHONE 03-3302-7033 FAX 03-3302-7133